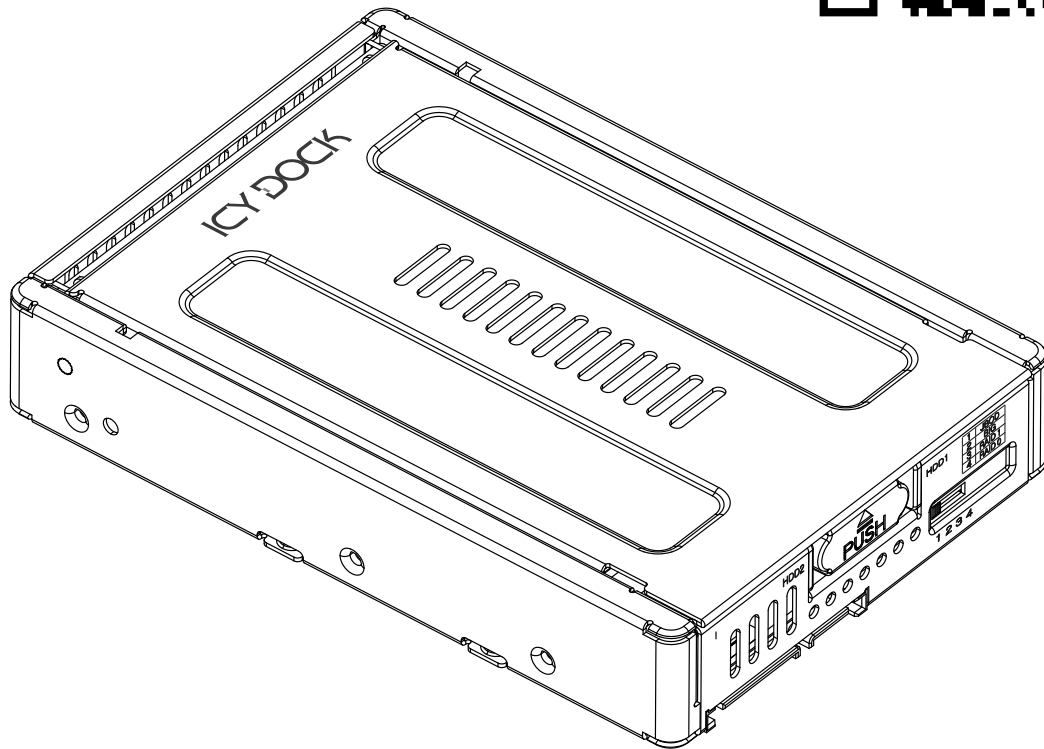


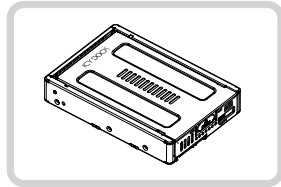
EZConvert PRO

ICY DOCK®

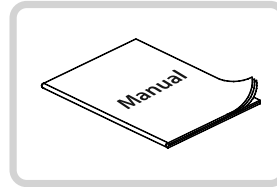
Dual Bay RAID 2.5" to 3.5" SATA SSD & HDD Converter



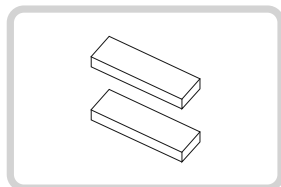
1 Package Contents



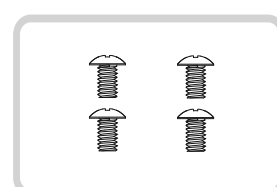
Device



User manual



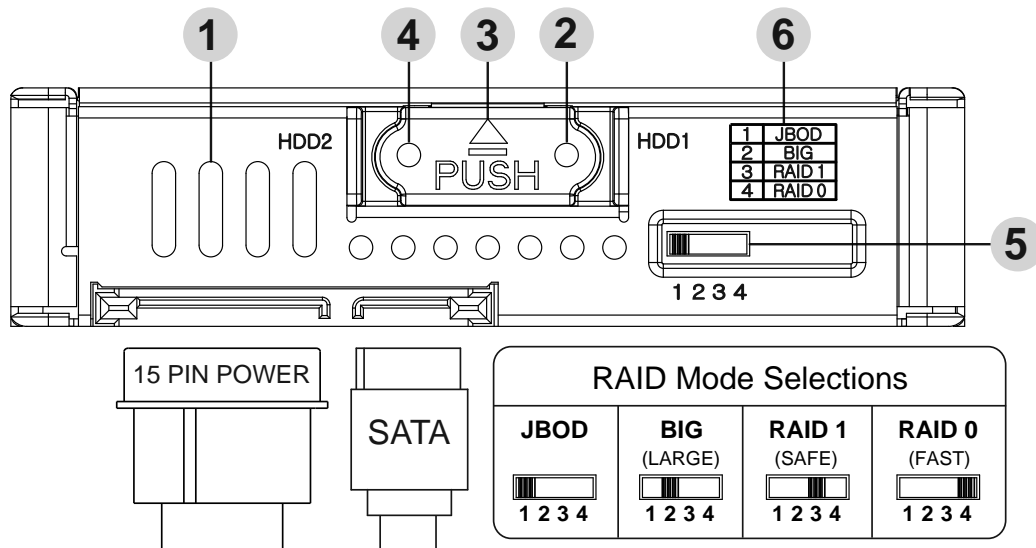
Drive support foam x 2
(for 5-7mm height drives)



#6-32 screw x 4 for device installation

Note: Please use the included screws to secure the device.

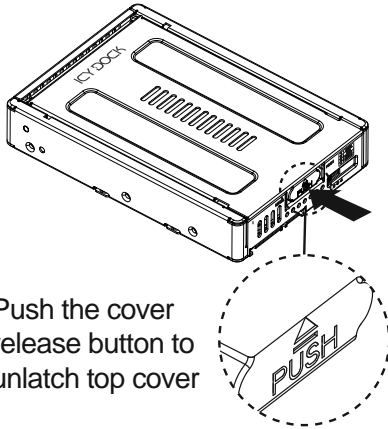
2 Device Information



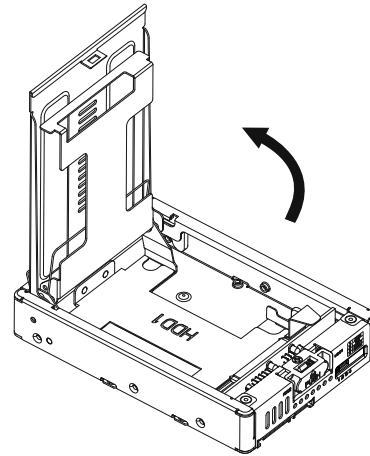
- 1、 Airflow vent
- 2、 HDD fail indicator
(For HDD slot 1)
- 3、 Cover release button
- 4、 HDD fail indicator
(For HDD slot 2)
- 5、 RAID mode selector switch
- 6、 RAID mode table

3 Installation Guide

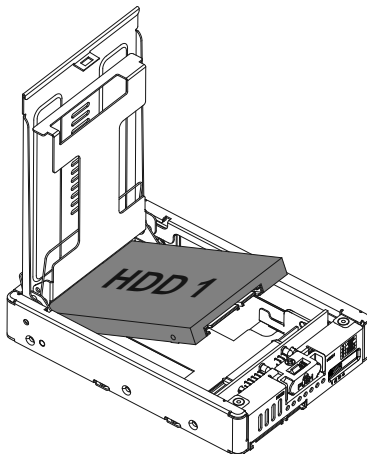
3-1



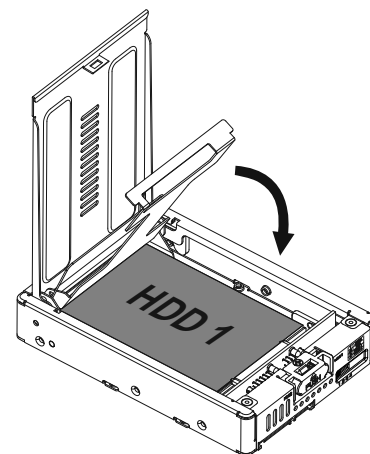
3-2



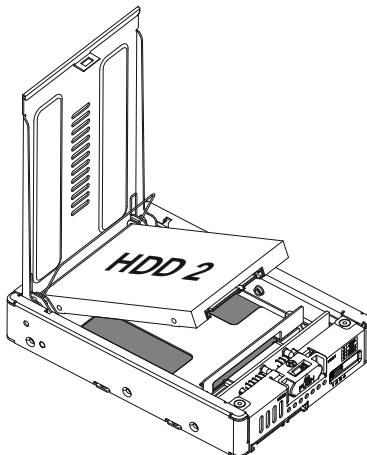
3-3



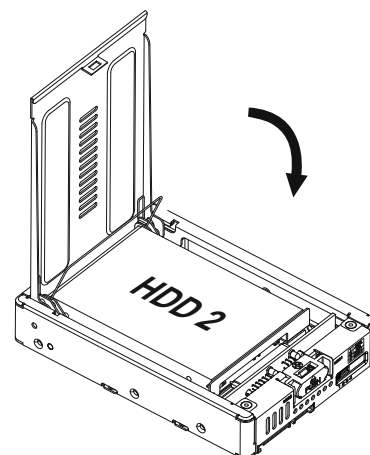
3-4



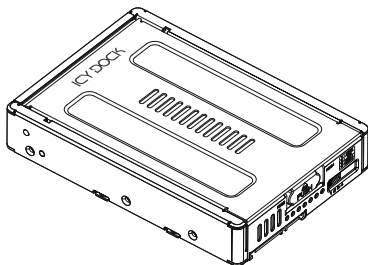
3-5



3-6

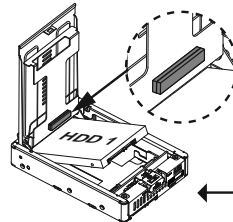
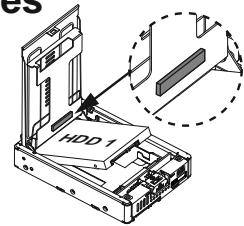


3-7. Drive installation completed



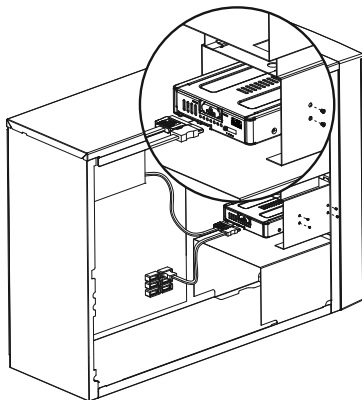
3-8. (Optional) Add drive support foam for 5-7mm height drives

For 7mm height drive installation, paste one drive support foam on the bottom of HDD 2 bracket as image shown. →



← For 5mm height drive installation, paste two drive support foams on the bottom of HDD 2 bracket as image shown.

3-9



Once the drive installations are completed, set your desired RAID mode with RAID mode selector switch and then install the device to the 3.5" drive bay with the included #6-32 screws, connect both SATA 7 pin data cable and 15 pin power cable to the EZConvert Pro. Finally, power on your system to complete the device installation.

Caution: Create RAID 0, 1 or BIG volume would erase any data stored in the drive(s), if there's data stored in the drive(s) make sure to back up any existing data. For more info please refer to section 4 - Using the RAID mode.

4 Using the RAID Mode

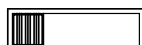
The EZConvert is factory preset to JBOD mode (system will recognize the two drives as two individual volumes). If you wish to use other RAID mode, please follow the steps below:

1. Back up any existing data in the drive(s) and then powering off the system.
2. Select the preferred RAID mode by using the RAID selector switch located on the backside of the EZConvert.
3. Turn on your system to complete RAID mode setup.
4. Format the RAID volume you have just created, and create new drive partition(s).

Caution: Changing RAID settings may permanently erase any existing data on the hard drive and cannot be restored. If there are existing data on the hard drive(s), please back up the data first.

5 About RAID Mode

JBOD (NON RAID)



1 2 3 4

The two physical disks are read as two independent hard drives in a single housing. Therefore, the computer will show two separate drives (port-multiplier required)

Note: While in JBOD mode with two drives, make sure that your system supports Port-Multiplier in order to detect both drives. If not, only the bottom drive will be detected.

BIG (CONCATENATION)

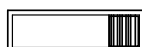


1 2 3 4

The two physical drives are combined so that one single yet larger logical volume mounts on the desktop, offering maximum possible capacity (the available capacities of each disk are combined).

Note: If one physical disk fails, the data on both disks will become inaccessible. If you are concerned about data security, we highly recommend using Safe configuration (RAID 1 mode) or back up your data onto a different drive periodically to prevent data loss.

RAID 0 (FAST)



1 2 3 4

The two physical drives are striped together to one larger logical volume. Storage capacity equals twice the capacity of the smaller hard drive yet with greater speed than the BIG mode. It is recommended to use identical brand, model and capacity drives so that both drive capacities can be used entirely. RAID 0 is primarily used in applications that require high performance and able to tolerate lower reliability.

Note: If one physical disk fails, the data on both disks will become inaccessible. If you are concerned about data security, we highly recommend using Safe configuration (RAID 1 mode).

RAID 1 (SAFE)



1 2 3 4

The two physical drives are “mirrored” into one single logical volume. All of the data on the drives will be recoverable from the other drive if one failed (the available capacity of one drive cannot exceed the available capacity of the other drive). It is ideal to have identical brand, model and capacity drives for RAID 1.

Note: In case both drives fail at the same time, it is recommended to backup any stored data onto another drive periodically for extra protection.

Manage RAID 1 (Safe)

1. Replace Malfunctioned Drive - While using RAID 1, if one of the hard drives malfunctions, the HDD fail indicator will appear in solid red and indicates which drive has failed. Power off the system and unmount EZConvert from the 3.5” HDD slot; replace the malfunctioning hard drive with the new hard drive and then close the top cover securely. Next, mount the EZConvert back to the 3.5” HDD slot and power on the system; the error indicator light will disappear in a few seconds. After replacing a new drive, the rebuilding process will start promptly. The new drive will become the new target drive while the remaining working hard drive will become the source drive. It is recommended to use new drives to replace the malfunctioned hard drive if you are using RAID. If you replace hard drives that has been used for RAID before, the system may not function properly due to existing RAID table created on the hard drives.
2. Rebuild / Verify - It is normal that the enclosure will perform the data rebuilding verification after changing one of the hard drives when using RAID 1. The rebuilding verification process time may vary depending on the hard drive’s specifications and amount of data. It usually takes about ten minutes to verify/rebuild a 100GB capacity.
3. Do not replace both drives in any RAID mode - As both drives will cause the enclosure to rewrite the RAID table. Once this done, the drives will no longer function in original RAID array.
4. RAID 1 is not suggested for hard drive duplicating - Please do not change the drive order in RAID 1 mode. Removing or changing any hard drive in RAID 1 mode while in operation may result in data loss.
5. It is recommended to use the identical HDD to ensure stability and performance.

6 RAID Monitoring Software

The RAID monitoring software supports both Windows and Mac OS, please visit <http://www.icydock.com> and download the software from the product page, located at Support & Download section:

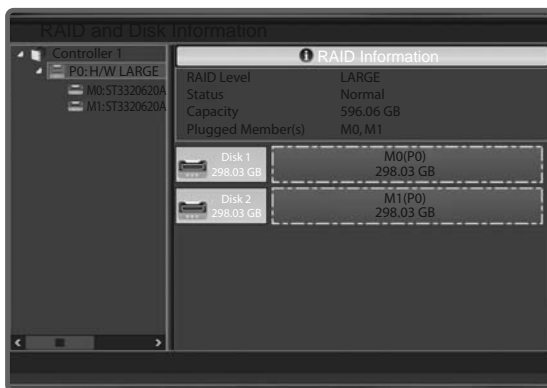
- a. Please make sure the device is connected to the computer and powered on then double click  to launch the software.
- b. Different RAID modes will display differently (See below):



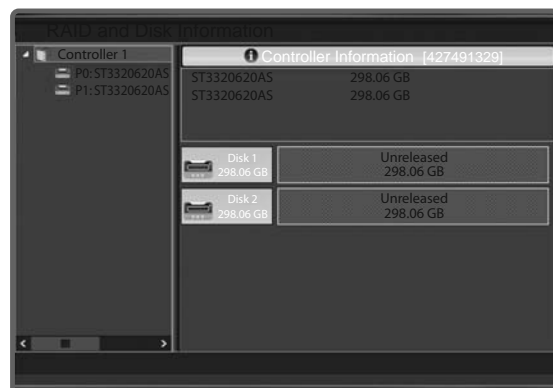
RAID 0



RAID 1



BIG



JBOD

7 Important Info

1. While creating or changing RAID mode, the chipset will automatically erase any data previously stored in the drives. Please be sure to back up any existing data on the drive before setting up RAID modes to prevent data loss.
2. It is recommended to use identical brand new hard drives for any RAID array, if you are using hard drives that have been used in a RAID before, you must first delete the previous data and restore the hard drive to factory settings in order to prevent any RAID mode setup failure.
3. The RAID array created by this enclosure will not be compatible with another RAID enclosure. The IC chipset and firmware must be the same otherwise it may cause data loss. If the product malfunctions, please contact our customer support.
4. Due to different drive specifications for the drive access signal, some drives may not support the access LED. If the LED does not function properly, but able to read and write to the drive, it would be the drive specifications are different. If the LED does not function, and the drive cannot be read or written to, please contact us.
5. It is recommend to use ERC (Error Recovery Control) supported hard drives to ensure best RAID performance.

For more product information, please visit <http://www.icydock.com>

ICY DOCK®

Bringing Innovation & Difference